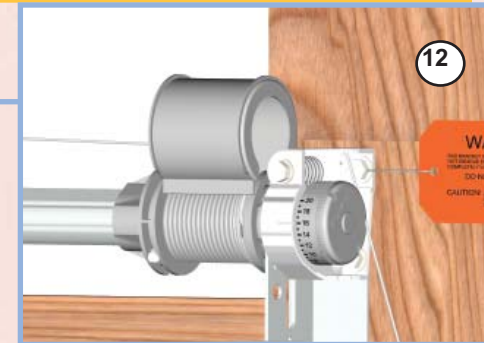
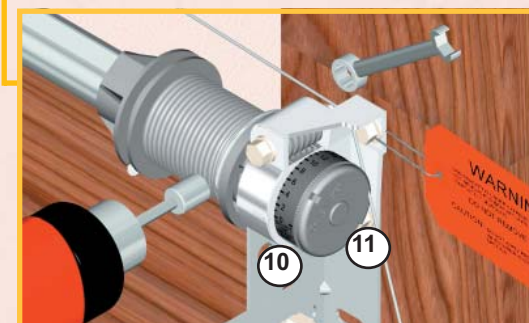
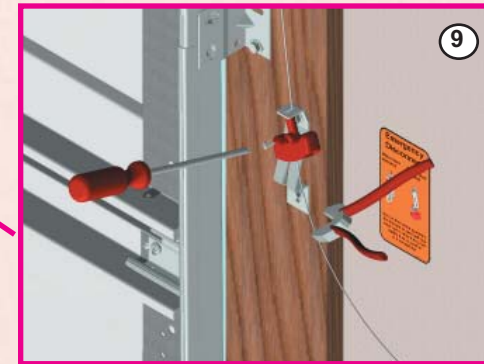
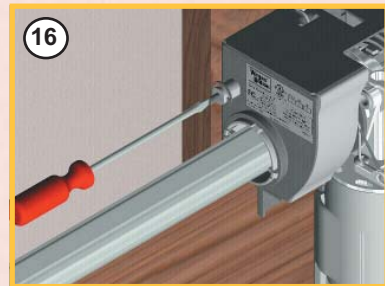
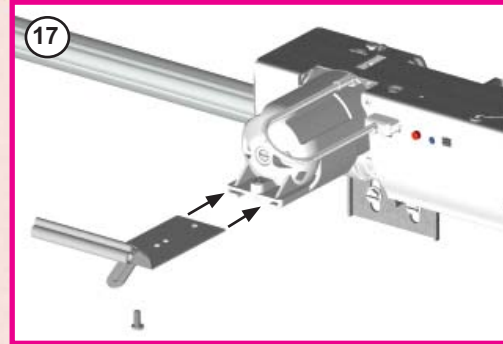
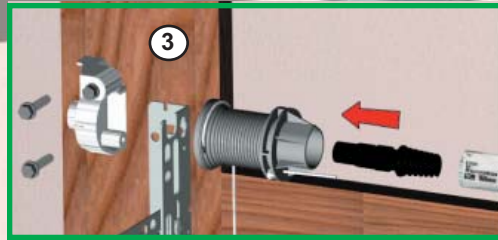
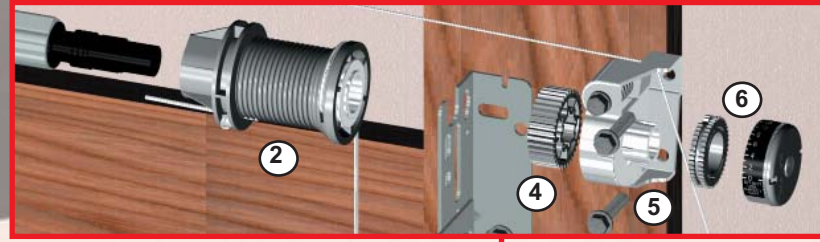
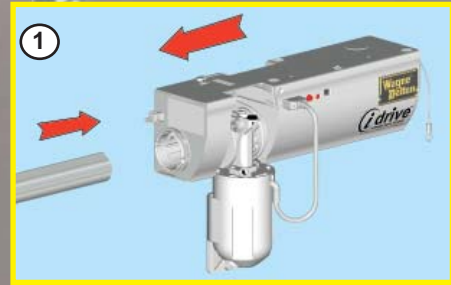
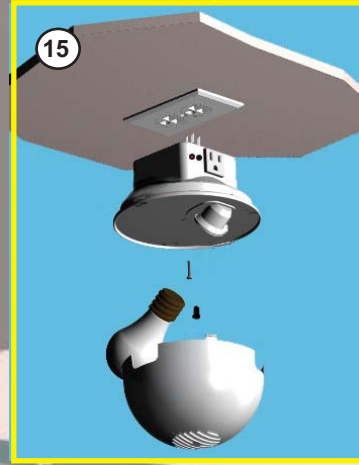




# idrive™ Garage Door Opener Quick Reference & Installation

**⚠ WARNING!** This document is meant to be used only as an aid for introduction to the opener installation. The Installation Instructions & Owner's Manual must be read completely to assure a safe and proper installation.



- 3:29 ① Assembling Power Head (see page 10)
- 4:41 ② Drum Installation (see page 11)
- 4:41 ③ Single Spring TorqueMaster™ Drum Installation (see page 11)
- 6:17 ④ Drive Gear Installation (see page 11)
- 6:39 ⑤ End Bracket Installation (see page 12)
- 6:59 ⑥ Counter Installation (see page 12)
- 7:46 ⑦ Opener/ Support Bracket Installation (see page 13)
- 8:48 ⑧ Cable Adjustments (see page 13)
- 10:46 ⑨ Disconnect Installation (see page 14)
- 10:46 ⑩ Pre-wind Springs (see page 15)
- 10:46 ⑪ Wind counterbalance Springs (see page 15)
- 11:01 ⑫ Drum Wrap Installation (see page 16)
- ⑬ Photoelectric Sensor Installation (see page 19-20)
- 11:21 ⑭ Wall Station Installation (see page 17)
- 13:46 ⑮ Light Fixture Installation (see page 18)
- 19:25 ⑯ Detent Adjustment (see page 26)
- 20:11 ⑰ Lock Arm Installation (see page 26)

**NOTE:** Photoelectric sensors are optional on 9100/9200/9600/9900 door models